

*Parts Schematics*

---

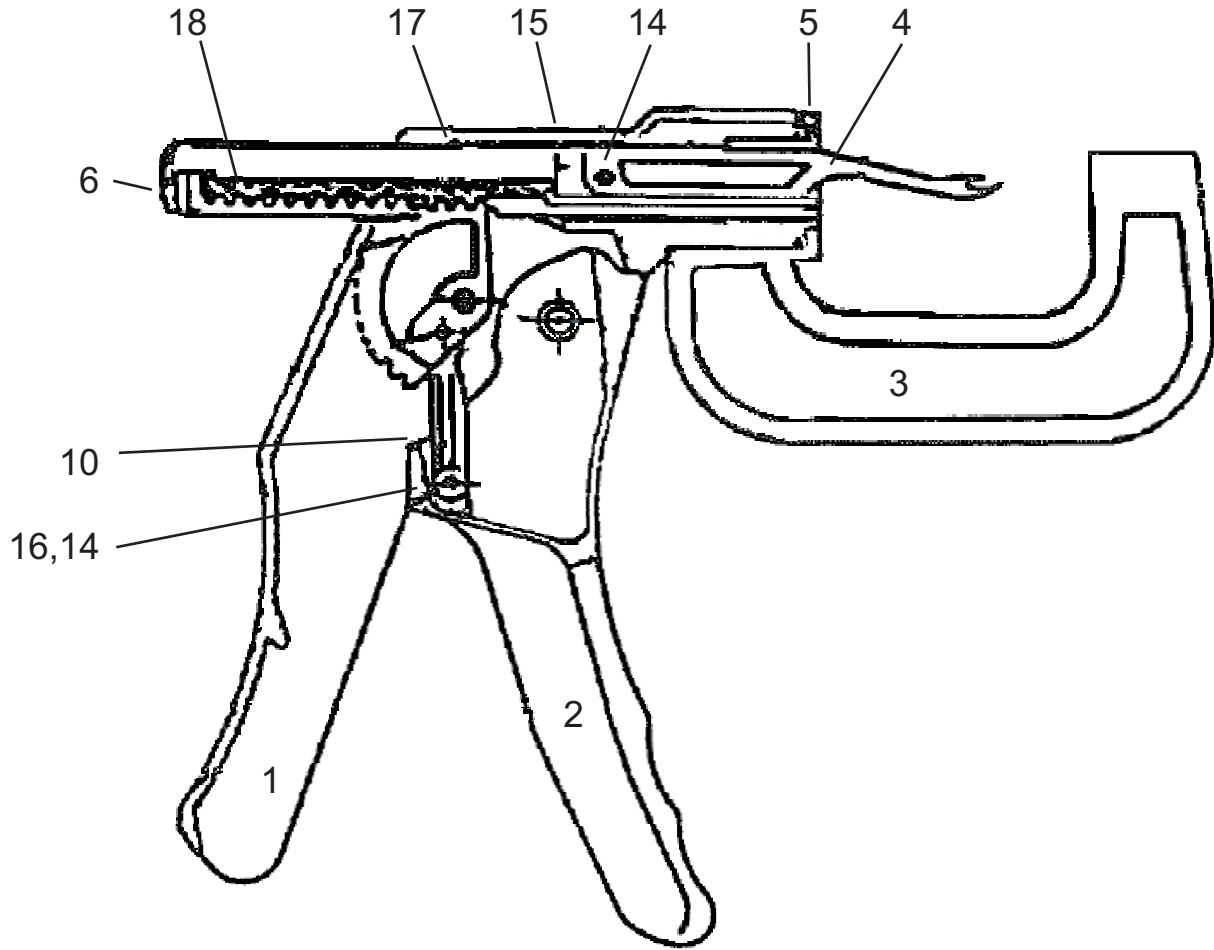
*Pieces de Remplacement*

# Notes





# Feedlot Applicator



Parts Schematics

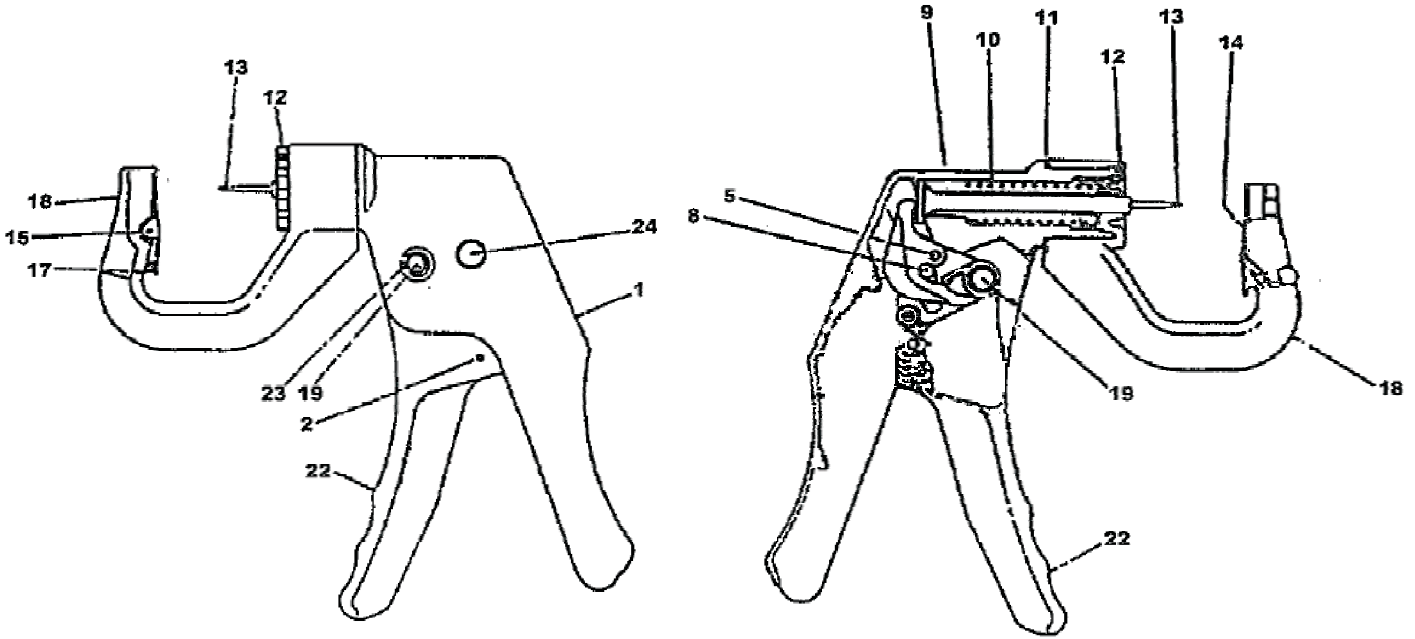
<u>KVS</u>	<u>Diagram</u>	<u>Description</u>
-	1	Body
-	2	Lever
044-933	3	Anvil
044-006	4	Applicator Pin
044-935	5	Black Nut
-	6	Spring Holder
-	10	Link
-	14	Link Pin
-	15	Gear Pin
-	16	Spacer
-	17	Rack Cover Pin
-	18	Large Spring

Products listed without a KVS code are special order only.



# Retractomatic Applicator

Parts Schematics

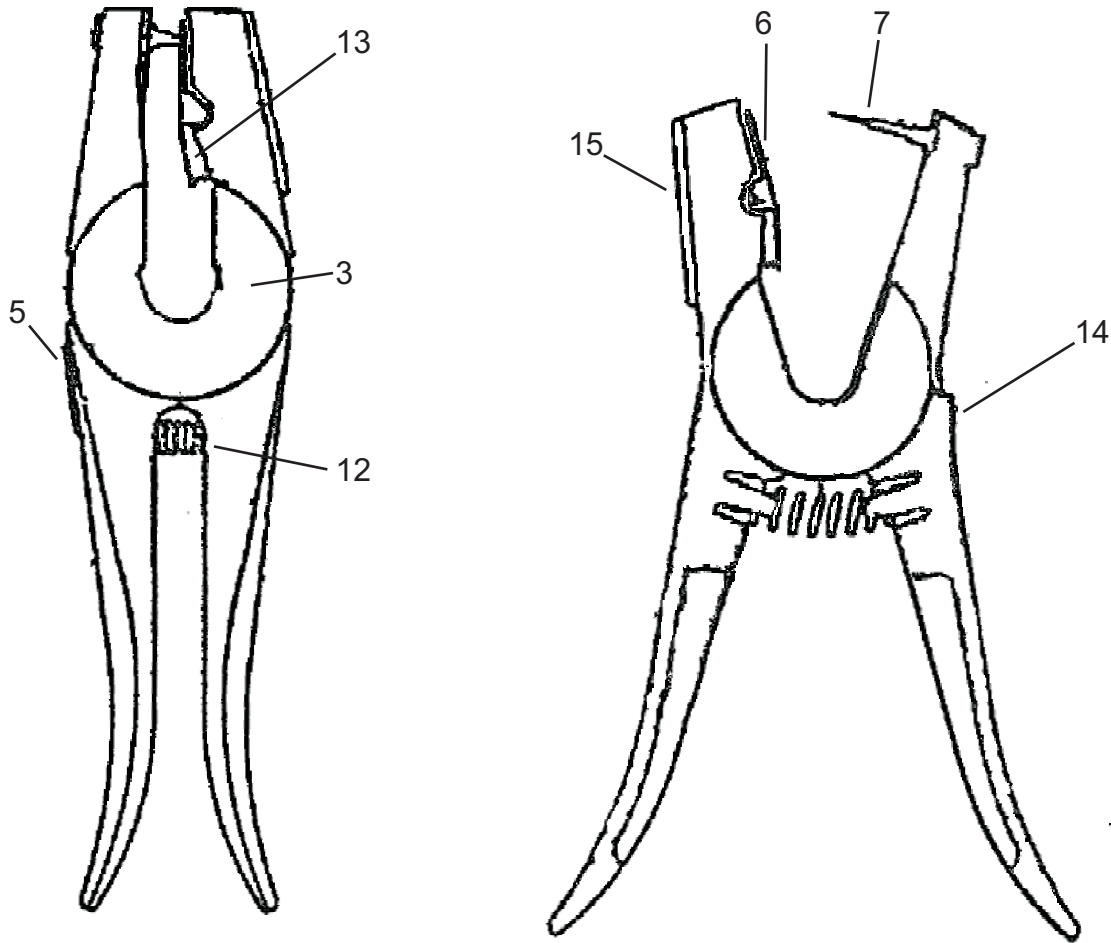


<u>KVS</u>	<u>Diagram</u>	<u>Description</u>
-	1	Body
-	2	Chain Pin
-	8	Cam Pin
-	9	Spring Minor
044-964	10	Spring Major (Large)
-	11	O-Ring
044-966	12	Retractomatic Nut
-	13	Guide Pin Assembly
-	14	Tag Clamp
-	15	Split Dowel
-	17	Spring
044-985	18	Anvil
044-972	19	Pivot Pin
-	22	Lever
044-974	23	Circlip
044-975	24	Snap Bearing

Products listed without a KVS code are special order only.



# Total Taggers



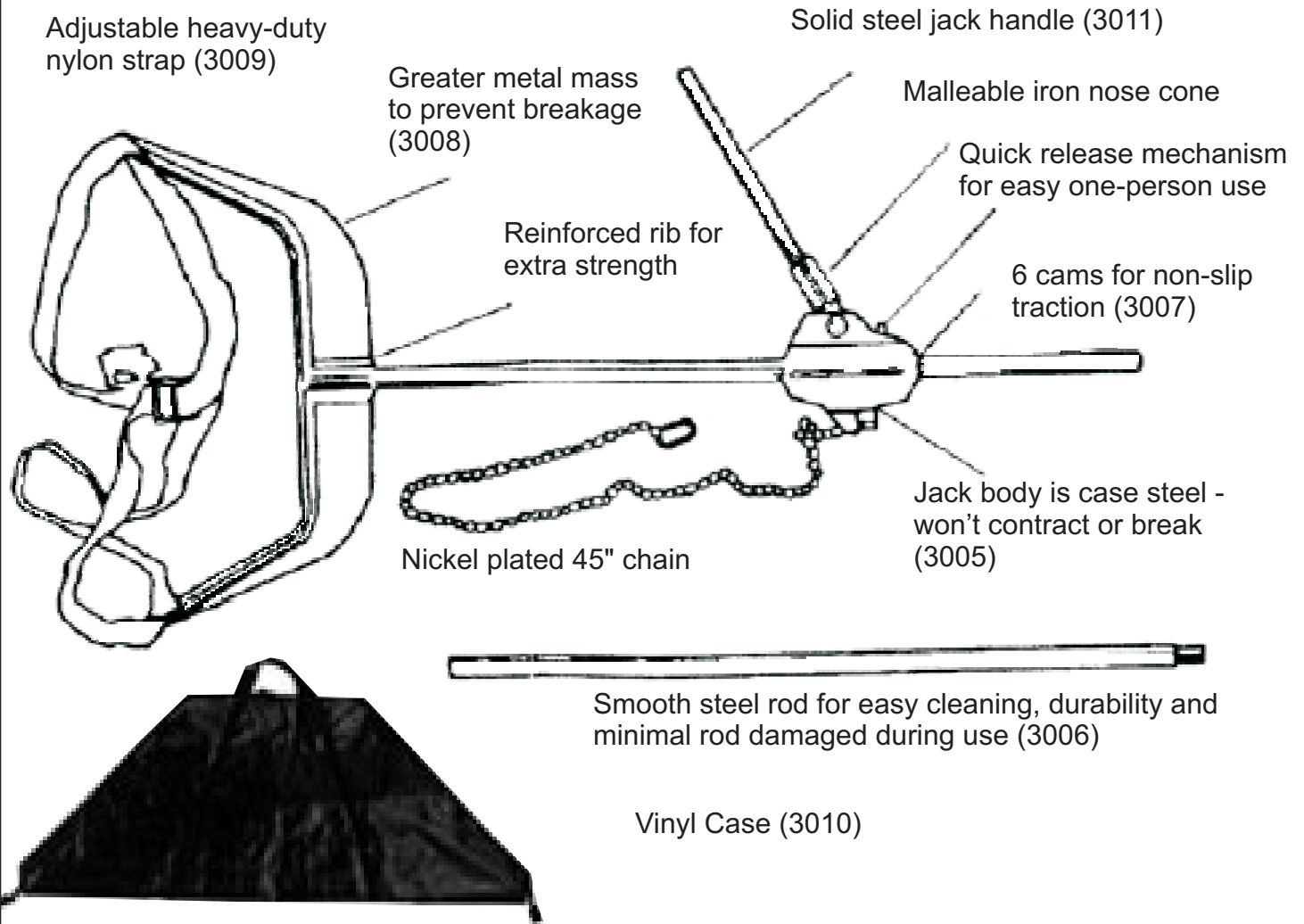
Parts Schematics

<u>KVS</u>	<u>Diagram</u>	<u>Product Description</u>
044-001	-	Total Tagger - Red
044-002	-	Total Tagger - Green
044-003	#7	Pins - Tamperproof
044-013	#7	Pins - Tamperproof - 5pk (Cambridge Only)
044-023	#7	Pins - Piglet Blue
044-024	#7	Pins - Universal - Green
044-911	#3	Clamp Bushing
044-912	#5	Lock Toggle
044-913	#6	Clamp Plate
044-915	#12	Large Spring
044-916	#13	Small Spring
044-917	#14	Lock Toggle Spring
044-919	#15	Insert Jaw - Black
044-920	#15	Insert Jaw - White



# Calf Puller - Dr. Frank's Fetal Extractor

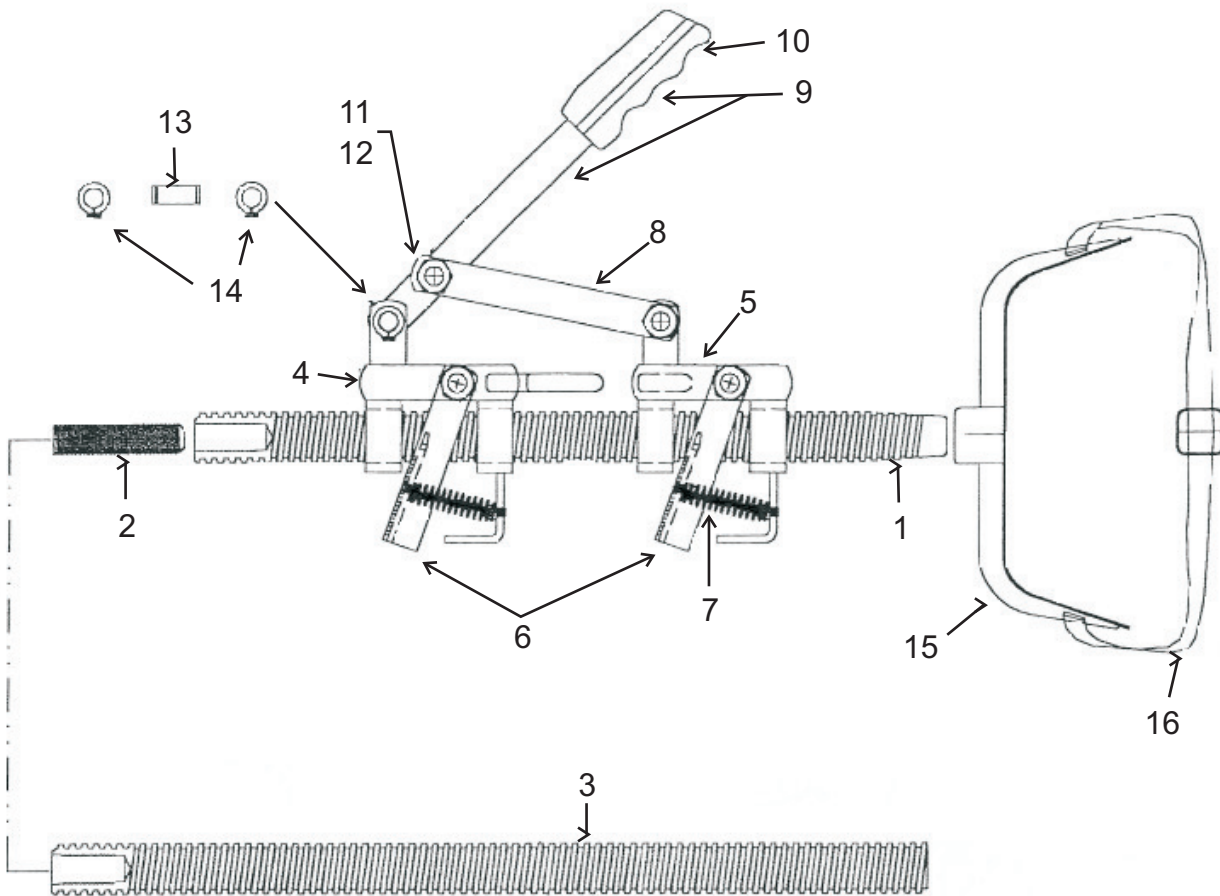
Parts Schematics



<u>KVS</u>	<u>Diagram</u>	<u>Description</u>
034-303	-	Calf Puller 23in
034-305	3009	Web Strap
034-307	3008	Breechum
034-309	3006	Rods (Pair)
034-311	3005	Jack Complete
034-313	3011	Jack Handle
034-316	3007	Cam Set
034-386	3010	Vinyl Bag



# Calf Puller - Ratch-A-Pull



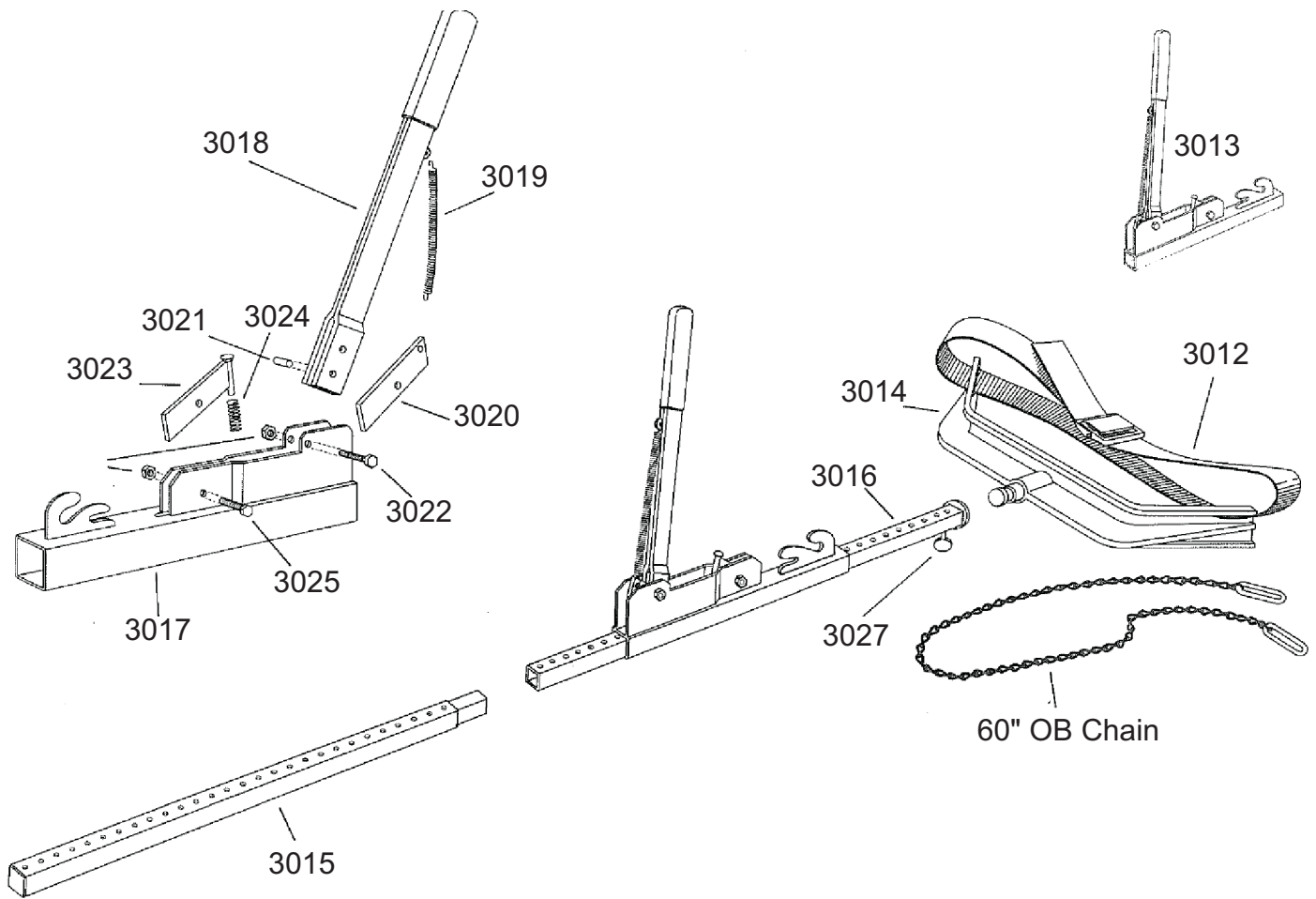
<b>KVS</b>	<b>Diagram</b>	<b>Description</b>
012-110	-	Calf Puller Complete
012-108	1	Tapered Rod Section includes #2
-	2	5/8-11 x 2 1/2" setscrew
012-107	3	Straight Rod Section
-	4	Rear Bracket Assembly Long Hook includes: 6,7,11,12
-	5	Front Bracket Assembly Long Hook includes: 6,7,11,12
-	6	Ratchet Linkage Assembly (2 used)
-	7	Linkage Spring
-	8	Handle Linkage (2 used)
-	9	Ratchet Handle with Grip
-	10	Rubber Grip Only
-	11	3/8-16 x 1 1/4" Hex Bolt (4 used)
-	12	3/8-16 Nylon Lock Nut (4 used)
-	13	Ratchet Pivot Pin
-	14	3/8 E-Ring Snap Clips (2 used)
012-105	15	Aluminum Breech Spanner
012-109	16	7" Nylon Web Belt Strap with Buckle
012-106	-	Lever Gear Assembly complete Includes 4,5,6,7,8,9,10,11,12,13,14

Products listed without a KVS code are special order only.



# Calf Puller - Westguard

Parts Schematics



<u>KVS</u>	<u>Diagram</u>	<u>Description</u>
261-002	-	Calf Puller Complete
261-010	3014	Butt Yoke
261-014	3016	Tube with Washer - 32.5"L
261-016	3017	Housing Sleeve
261-018	3018	Handle with Rubber Grip
261-020	3012	Hip Strap
Special Order	3013	Housing Sleeve Assembly w/ Handle
261-022	3019	Handle Spring
261-024	3020	Hand Latch
261-026	3021	Handle Pivot Rod
261-028	3022	Handle Bolt - 5/16"x1.5"
261-030	3023	Dog Latch
261-032	3024	Dog Latch Spring
261-034	3025	Dog Latch Bolt - 5/16"x1"
261-036	3026	Stover Nut - 5/16"
261-038	3027	Thumb Screw for Butt Yoke
261-040	3015	Tube with Stub - 32.5"L





# Clippers - Heads and Motors

043-399  
510A



043-448  
310C



043-375  
610M

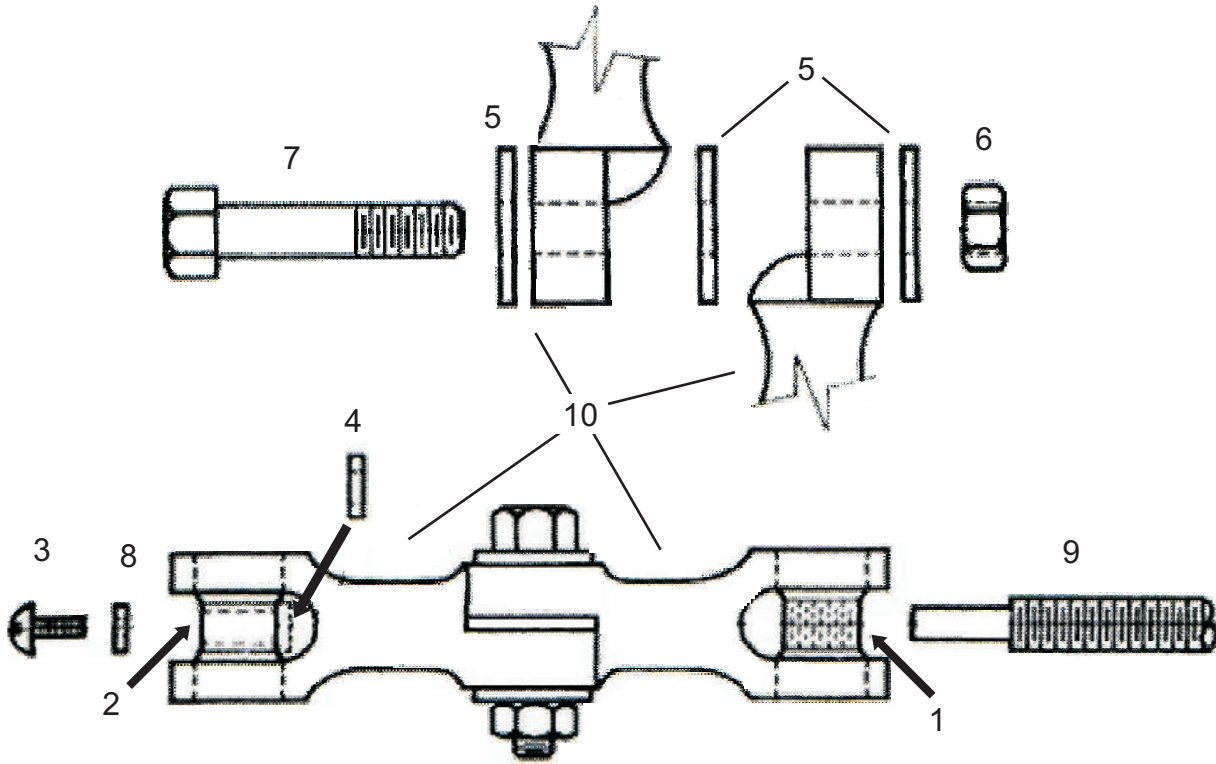
**KVS**

**Description**

- 043-376 510M - Motor - Variable Speed - Clipmaster & Showmaster
- 043-375 610M - Motor - Single Speed - Clipmaster & Shearmaster
- 043-399 510A - Clipmaster Head with 83AU & 84AU Blades
- 043-448 610C - Showmaster Head without Blades



# Kow Kant Kick

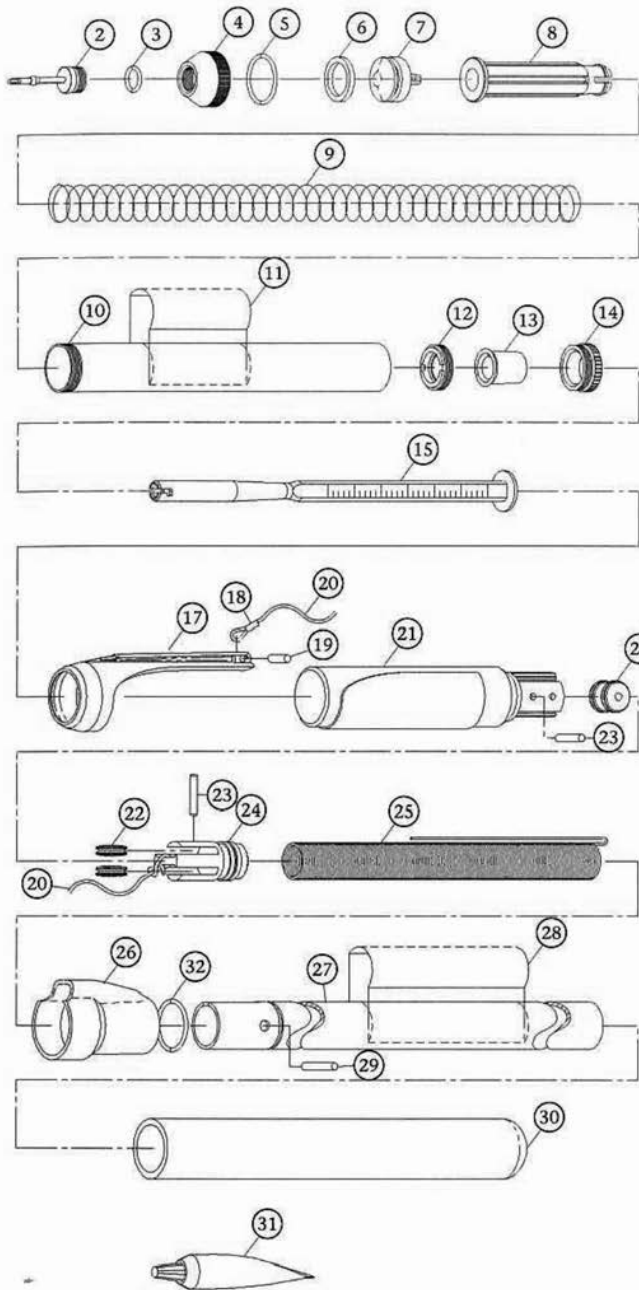


Parts Schematics

<u>KVS</u>	<u>Diagram</u>	<u>Description</u>
261-369	1	Threaded Bushing (x1)
261-370	2	Unthreaded Bushing (x1)
261-371	3	Screw 1/2"-20 x 1/2" (x1)
261-372	4	Thrust Washer (x1)
261-373	5	Washer 1/2" (x3)
261-374	6	Hex Nut 1/2" - 13 NC (x1)
261-375	7	Bolt (x1)
261-376	8	Washer 3/16" (x1)
261-377	9	Threaded Handle (x1)
261-378	10	Leg & Casting Assembly (x2)
261-379	not shown	Leg Caps
261-388	not shown	Handle Package Includes: 9, 1, 2, 3, 4, 8



# Stock Doctor



**Diagram**

**KVS**

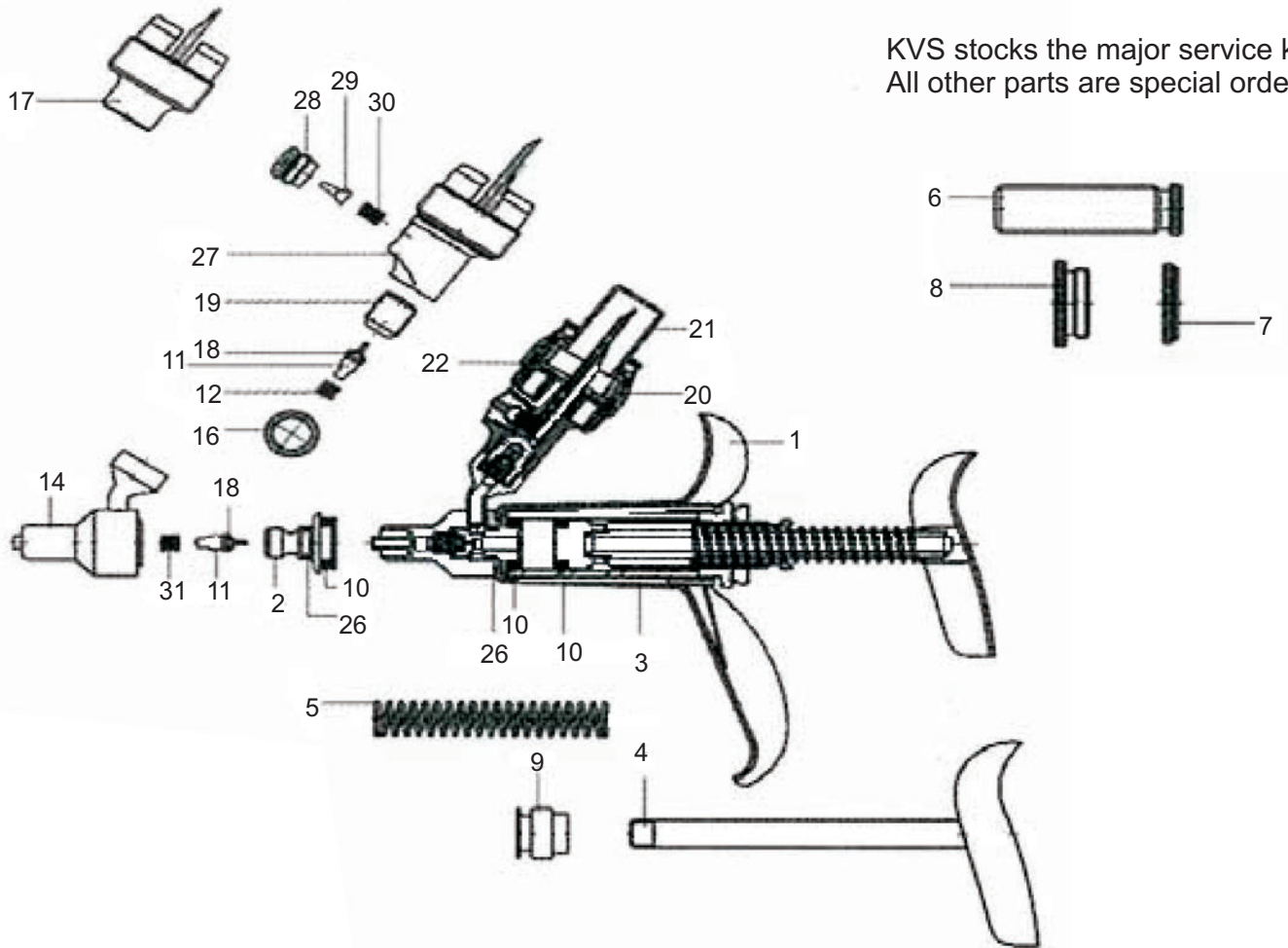
**Description**

Diagram	KVS	Description
-	849-001	Stock Doctor Complete
1	849-002	Syringe Assembly Complete
2	849-003	Needle Ass. 1.25in + O-Ring
3	849-004	O-Ring for Syringe Cap
4	849-005	Quad O-Ring for Piston
5	849-006	Piston + Quad Ring
6	849-007	Spring for Syringe
7	849-008	Syringe Barrel + Lock Ring
8	849-009	Metering Rod
9	849-010	O-Ring for Needle
10	849-011	Syringe Cap
11	849-012	Catch Spring
12	849-013	Syringe Label
13	849-014	Lock-Ring
14	849-015	Trigger
15	849-016	Trigger Cap
16	849-017	Pole + Tether Assembly
17	849-018	Cuff
18	849-019	Cuff + Line Crimp
19	849-020	Pin - 0.25in Long
20	849-021	Tether Line
21	849-022	Retainer + Pins + Pulley
22	849-023	Pulley - Set of 4
23	849-024	Axle -2
24	849-025	Plug Spring + Pin + Pulley
25	849-026	Extension Spring
26	849-027	Collar
27	849-028	Pole
28	849-029	Pole Label
29	849-030	Pin - 0.875in Long
30	849-031	Grip
31	849-032	Syringe Lubricant - 0.5oz
32	849-033	Pole + O-Ring

Parts Schematics



# Syringe - Bottle Feed - Automatic - 5FM

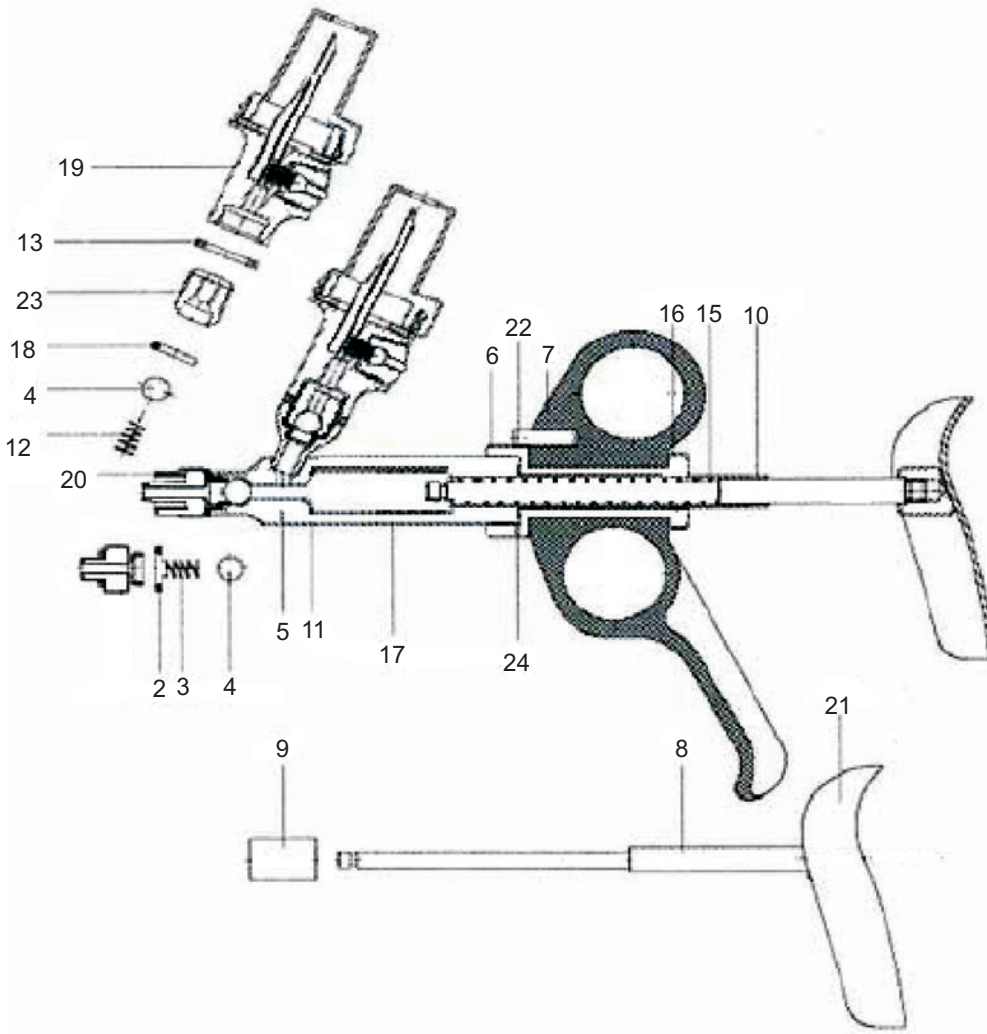


Parts Schematics

<u>Diagram</u>	<u>Allflex</u>	<u>Product Description</u>	<u>KVS</u>	<u>Product Description</u>
1	XP20	Barrel Housing	044-300	Complete 5FM Syringe
2	5FM02	Mounting Hub	044-301	Major Service Kit:
3	XP21	Plastic Barrel 5cc		#3 (2x)
4	5FM03	Piston Rod		#10 (2x)
5	XP21-SPRING	Compression Spring		#11 (2x)
6	XP22	Dose Rod		#12 (2x)
7	XP23	Locking Nut		#16 (1x)
8	XP24	Barrel Lock Nut		#22 (1x)
9	5FM08	Piston		#26 (1x)
10	XP25	O-Ring		#29 (1x)
11	XP26	Valve with Washer		#30 (1x)
12	XP02	Valve Spring		#31 (1x)
14	5FM12	Front Luer Lock		
16	XP09	Washer		
17	5FM14	Adaptor		
18	XP27	Washer		
19	5FM16	Valve Screw		
20	XP18	Bottle Nut		
21	XP19	Safety Cap		
22	5FM19	Washer		
26	XP13	O-Ring		
27	XP28	Bottle Attachment Comp.		
28	5FM21	Valve Cap		
29	5FM22	Rubber Valve		
30	5FM23	Valve Spring		
31	XP02	Valve Spring		



# Syringe - Bottle Feed - Automatic - 2UM



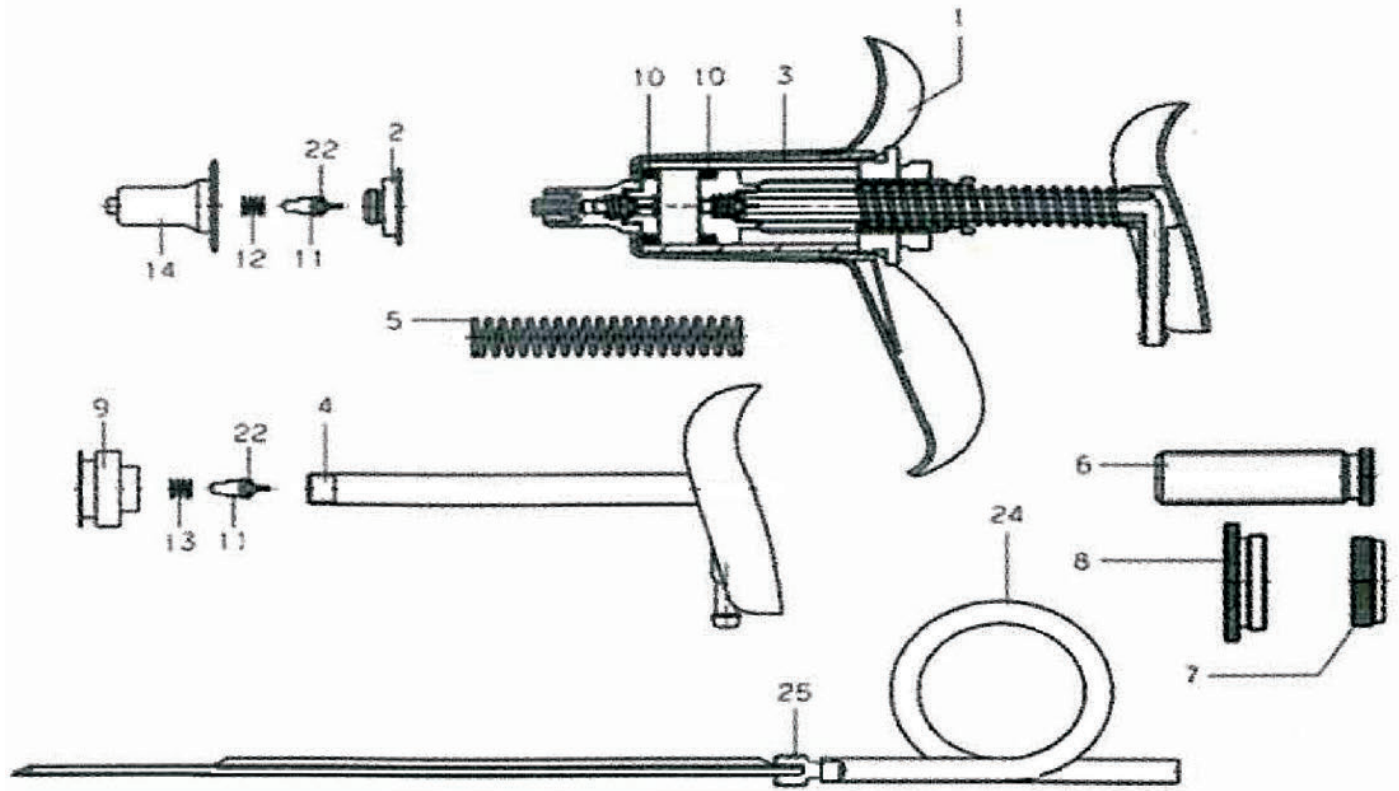
Parts Schematics

<u>Diagram</u>	<u>Allflex</u>	<u>Product Description</u>	<u>KVS</u>	<u>Product Description</u>
2	XP01	Washer	044-200	Complete 2UM Syringe Major Service Kit:
3	XP02	Valve Spring	044-201	
4	XP03	Ball		#2 (2x)
5	2UM04	Barrel Sleeve 2cc		#3 (2x)
6	XP04	Sleeve		#4 (2x)
7	XP05	Handle		#11 (2x)
8	XP06	Piston Rod		#12 (2x)
9	2UM08	Piston (Metal 2cc)		#13 (2x)
10	XP07	Dose Rod		#17 (1x)
11	2UM10	Washer		#18 (1x)
12	XP08	Valve Spring		Washer (1x)
13	XP09	Washer		
14	XP10	Tube Attachment		
15	XP11	Compression Spring		
16	XP12	Knurled Nut		
17	2UM-B	Glass Barrel 2ml		
18	XP13	O-Ring		
19	XP28	Bottle Attachment Complete		
20	XP14	Front Luer Lock		
21	XP15	Rear Handle		
22	XP16	Pin		
23	XP17	Valve Screw		

KVS stocks the major service kit.  
All other parts are special order.



# Syringe - Draw Off - 5VM-3



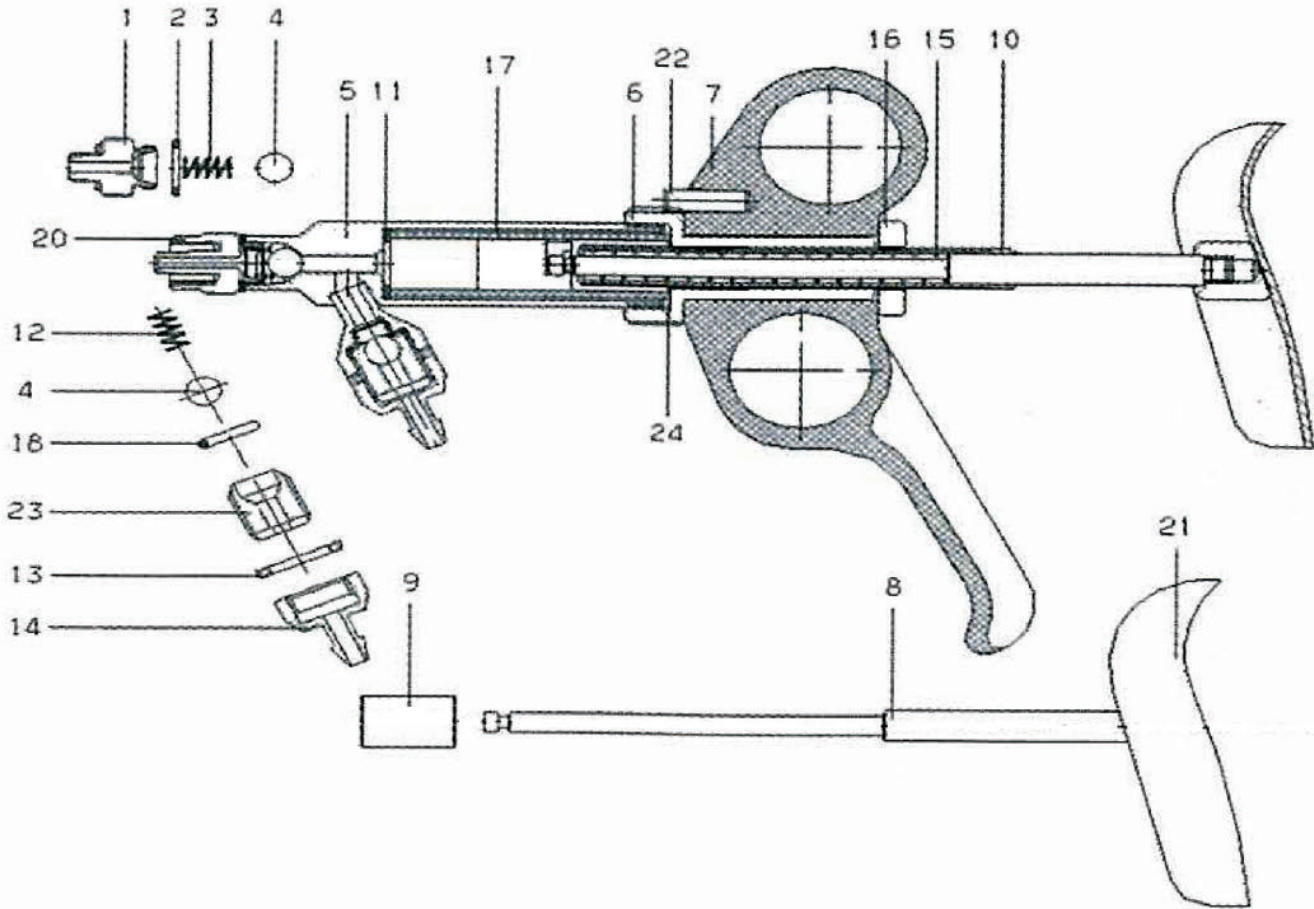
Parts Schematics

Diagram	Allflex	Product Description	KVS	Product Description
1	XP20	Barrel Housing	044-400	Complete 5VM-3 Syringe Major Service Kit:
2	5VM02	Mounting Hub	044-401	
3	XP21	Plastic Barrel 5cc		#3 (2x)
4	5VM03	Piston Rod		#10 (2x)
5	XP21-SPRING	Compression Spring		#11 (2x)
6	XP22	Dose Rod		#12 (1x)
7	XP23	Locking Nut		#13 (1x)
8	XP24	Barrel Lock Nut		
9	5VM08	Piston		
10	XP25	O-Ring		
11	XP26	Valve with Washer		
12	XP02	Valve Spring		
13	XP08	Valve Spring		
14	5VM13	Front Luer Lock		
22	XP27	Washer		
24	AT18	PVC Amber Tube		
25	MSPIKE	Metal Bottle Spike		

KVS stocks the major service kit.  
All other parts are special order.



# Syringe - Draw Off - 1UM-T/2UM-T



Parts Schematics

<u>Diagram</u>	<u>Allflex</u>	<u>Product Description</u>	<u>KVS</u>	<u>Product Description</u>
2	XP01	Washer	044-150	Complete 1UM-T Syringe
3	XP02	Valve Spring	044-200	Complete 2UM-T Syringe
4	XP03	Ball	044-151	1UM-T Major Service Kit
5	1UM04/2UM04	Barrel Sleeve	044-201	2UM-T Major Service Kit
6	XP04	Sleeve		
7	XP05	Handle		
8	XP06	Pison Rod		
9	1UM08/2UM08	Pison - Metal		
10	XP07	Dose Rod		
11	1UM10/2UM10	Washer		
12	XP08	Valve Spring		
13	XP09	Washer		
14	XP10	Tube Attachment		
15	XP11	Compression Spring		
16	XP12	Knurled Nut		
17	1UM-B/2UM-B	Glass Barrel		
18	XP13	O-Ring		
20	XP14	Front Luer Lock		
21	XP15	Rear Handle		
22	XP16	Pin		
23	XP17	Valve Screw		
24	1UM11/2UM11	Washer (Red)		

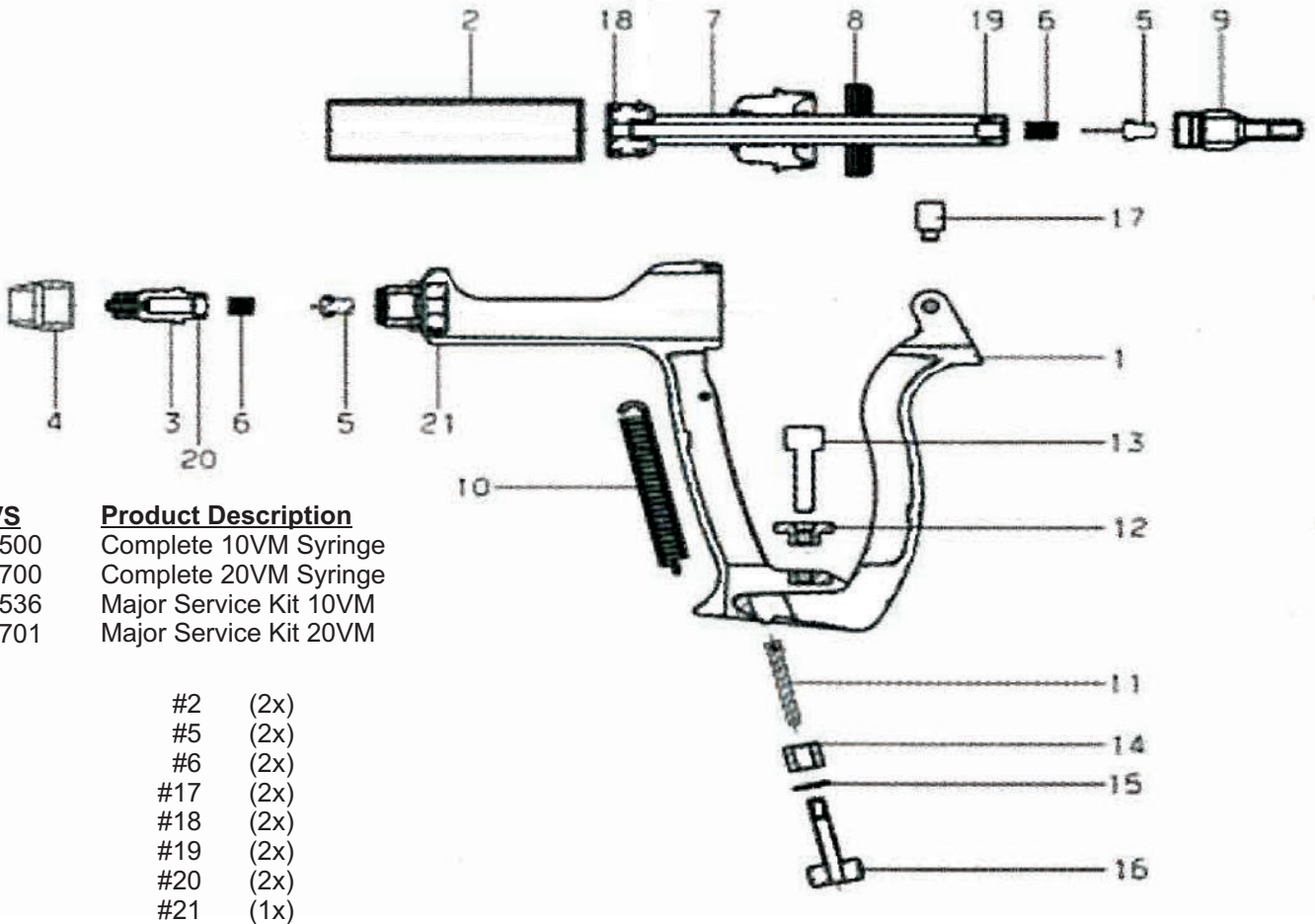
Major Service Kits Include:

- #2 (2x)
- #3 (2x)
- #4 (2x)
- #11 (1x)
- #12 (1x)
- #13 (1x)
- #17 (1x)
- #18 (1x)
- #24 (1x)

KVS stocks: 044-200 and 044-201.  
All other codes and parts are special order.



# Syringe - Draw Off - 10VM/20VM



<b>KVS</b>	<b>Product Description</b>
044-500	Complete 10VM Syringe
044-700	Complete 20VM Syringe
044-536	Major Service Kit 10VM
044-701	Major Service Kit 20VM

- #2 (2x)
- #5 (2x)
- #6 (2x)
- #17 (2x)
- #18 (2x)
- #19 (2x)
- #20 (2x)
- #21 (1x)

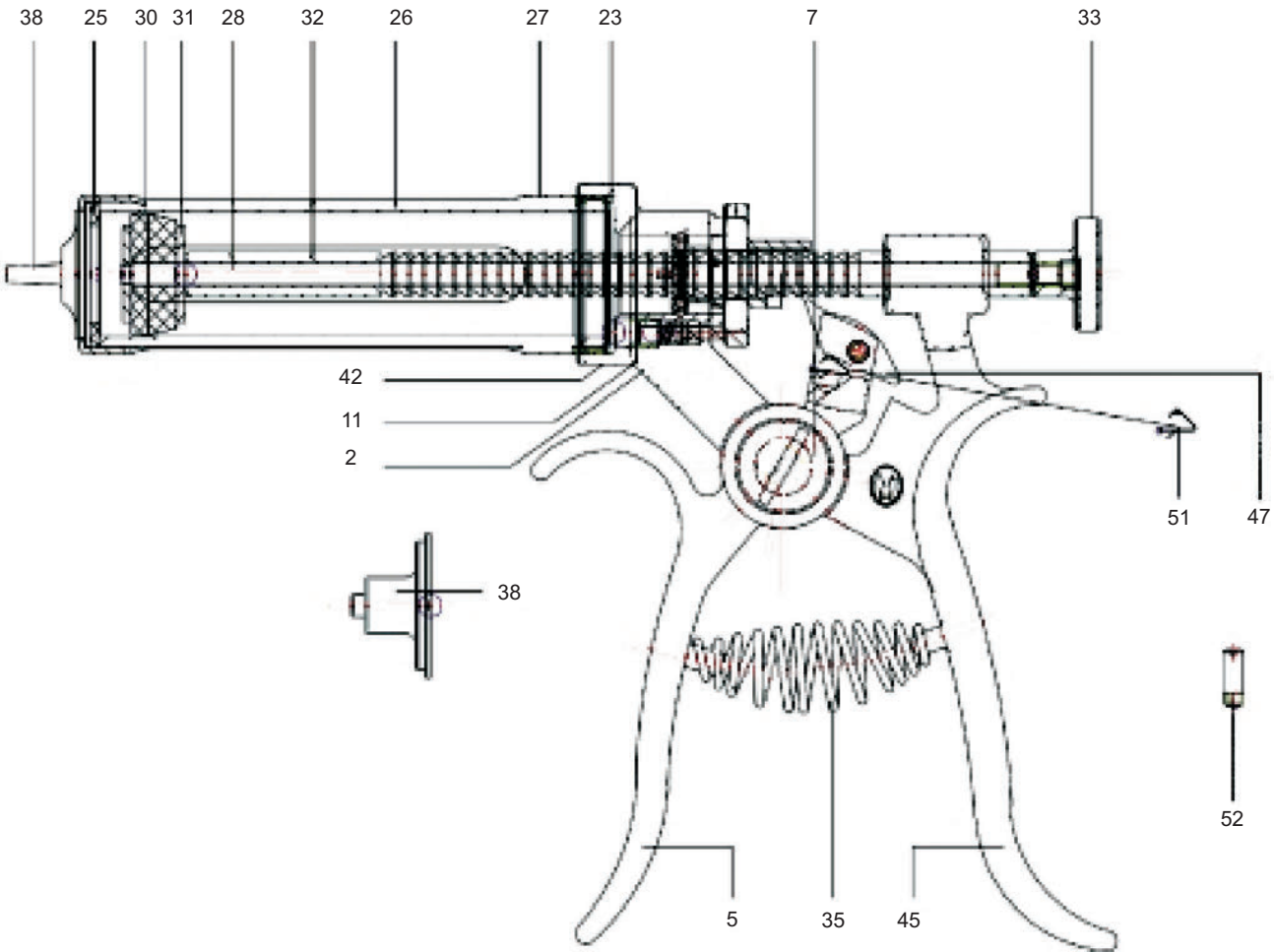
<u>Diagram</u>	<u>Description</u>	<u>Product Description</u>
-	10VM-HAN/20VM-HAN	Complete Handle Assembly
-	10VM-BAR/20VM-BAR	Amber Plastic Barrel
3	LLTIP	Luer Lock Nozzle
4	XP36	Nozzle Nut
5	XP37	Valve with O-Ring
6	XP38	Valve Spring
7	10VM-ROD/20VM-ROD	Piston Rod
8	XP39	Retaining Nut
9	XP40	Tubing Attachment
10	XP41	Draw Spring
11	XP42	Spring Rod
12	XP43	Dosage Lock Nut
13	XP44	Dosage Screw
14	XP45	Tension Bushing
15	XP46	Tension Washer
16	XP47	Tension Screw
17	XP48	Lever Wear Pads (1pc)
18	10VM-ORING/20VM-ORING	Piston O-Ring
19	XP49	O-Ring (Rear Valve Housing)
20	XP50	O-Ring (Nozzle + Drench)
21	10VM01	O-Ring (Barrel Mounting Hub)

KVS stocks the major service kit. All other parts are special order.





# Syringes - Roux



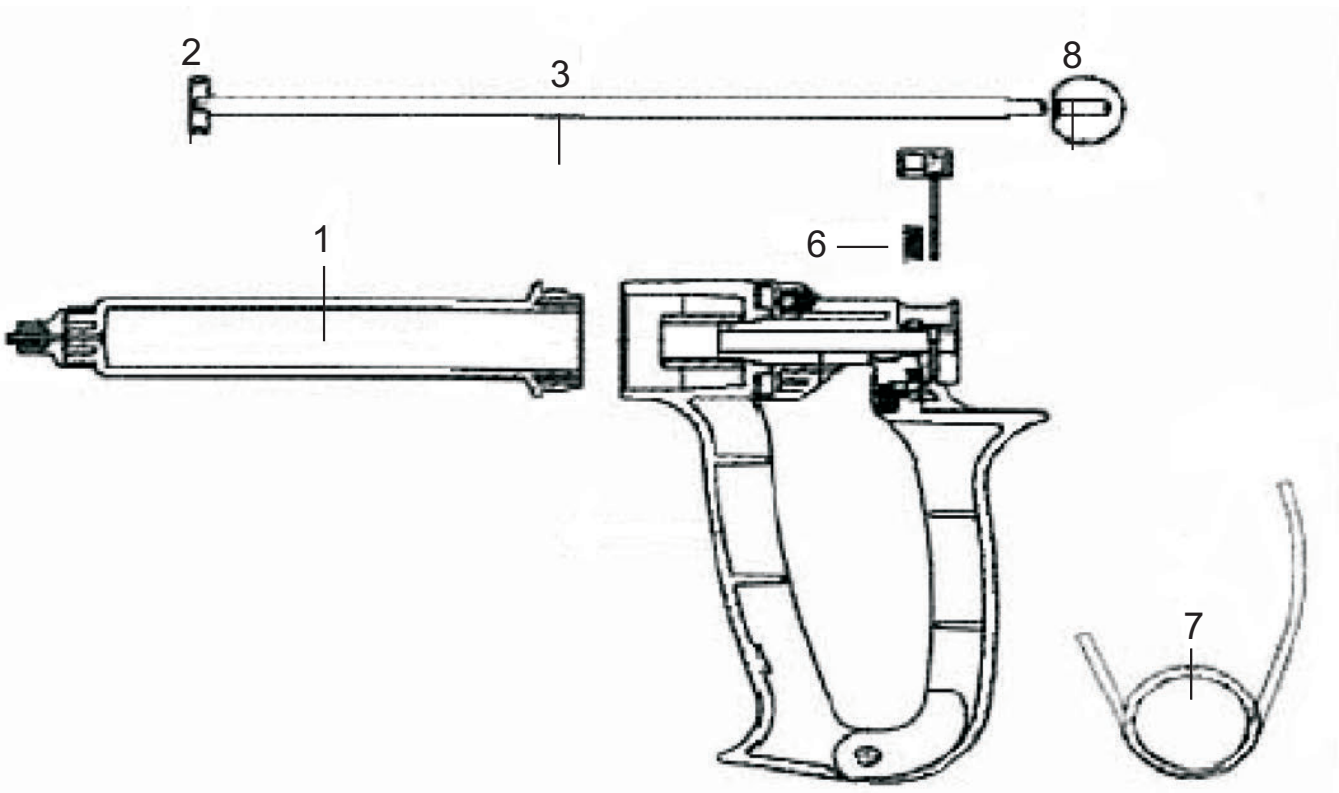
Parts Schematics

<u>Diagram</u>	<u>Description</u>	<u>10ml</u>	<u>30ml</u>	<u>50ml</u>
-	Pistol Syringe	376-200	376-201	376-202
23,25,30	Packing Set O-Rings	376-236	376-203	376-203
47,51,52	Ratchet Repair Kit	376-205	376-205	376-205
2	Screw	376-211	376-211	376-211
5	Handle	376-217	376-217	376-217
7	Fix Screw	376-220	376-220	376-220
11	Spring	376-210	376-210	376-210
26	Glass barrel	376-239	376-226	376-204
27	Metal Tube	376-240	376-227	376-209
28	Pullbar Rod	376-241	376-228	376-207
31	Piston Plate	376-231	376-222	376-222
32	Piston Rod	376-232	376-229	376-208
33	Knob	376-212	376-212	376-212
35	Spring	376-213	376-213	376-213
38	Luer Lock	376-233	376-223	376-223
42	Screw	376-214	376-214	376-214
43	Steel Ball	376-215	376-215	376-215
45	Handle	376-234	376-224	376-224
47	Ratchet	376-216	376-216	376-216
49	Dose Setting Device	376-235	376-225	376-225
51	Ratchet Spring	376-218	376-218	376-218
52	Screw	376-219	376-219	376-219



# Repeater Syringes - 50MR2 & 25MR2

Parts Schematics



## 25MR2 Repeater Syringe

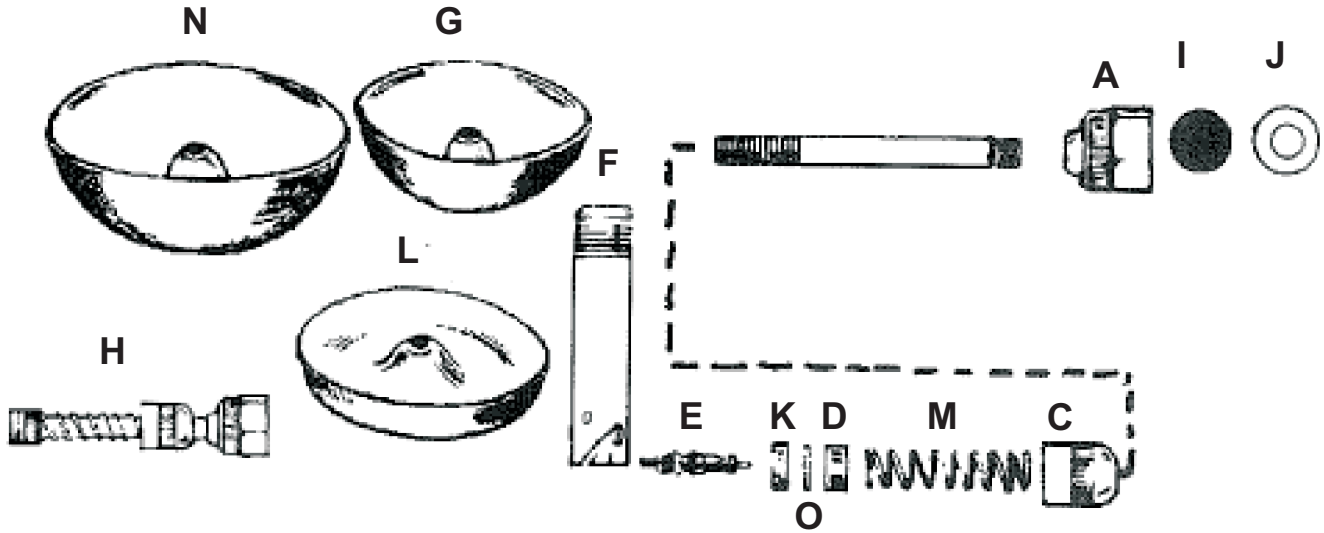
<u>Diagram</u>	<u>KVS</u>	<u>Product Description</u>
-	044-600	Repeater Syringe - 25ml
2	044-620	O-Ring
1,2	044-621	Barrel + O-Ring
3	044-622	Piston Rod + Piston
6	044-835	Lock Spring
7	044-836	Hand Spring
8	044-845	Black Piston Knob
8	044-846	Red/Yellow/Blue Piston Knobs

## 50MR2 Repeater Syringe

<u>Diagram</u>	<u>KVS</u>	<u>Product Description</u>
-	044-800	Repeater Syringe - 50ml
2	044-801	O-Ring
1,2	044-832	Barrel + O-Ring
3	044-833	Piston Rod + Piston
6	044-835	Lock Spring
7	044-836	Hand Spring
8	044-845	Black Piston Knob
8	044-846	Red/Yellow/Blue Piston Knobs



# Automatic Poultry Founts

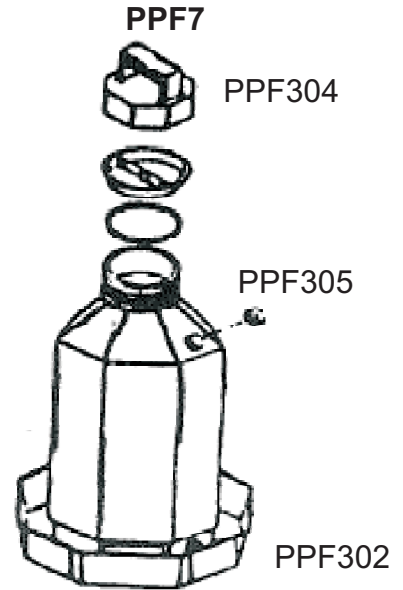
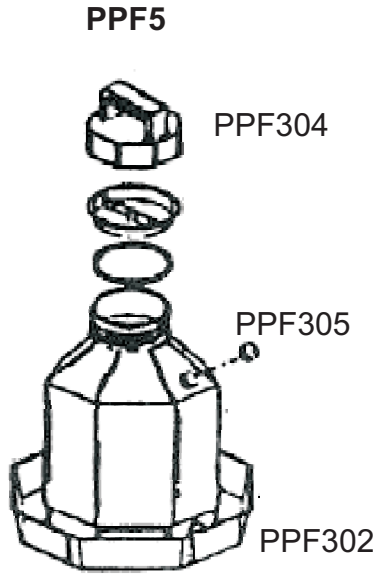
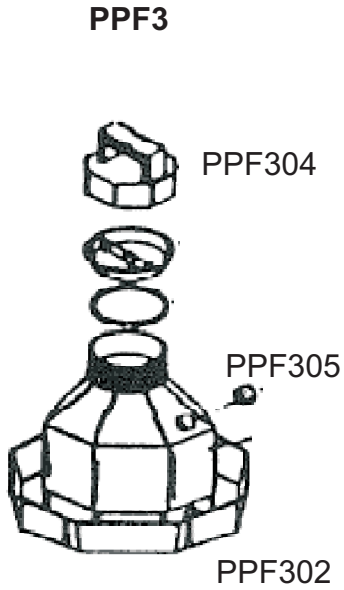


<u>KVS</u>	<u>Miller</u>	<u>Description</u>
115-050	2550	Automatic Fount - King
115-052	2500	Automatic Fount - Game Bird
115-054	2525	Automatic Fount - Chicken
115-158	(N) 2532	Fount Bowl - King
115-914	(G) 2508	Fount Bowl - Game Bird
115-157	(L) 2515	Fount Bowl - Chicken
115-058	1018	Bowl Guard (Not Pictured)
115-924	(A) 2501	Brass Nut
115-155	(D)(K) 2514	Control and Lock Nut
115-934	(E) 2506	Valve Stem
115-930	(F) 2507	Brass Post
115-932	(H) 2509	Stem Assembly without Post
115-152	(I) 2510	Brass Screen
115-153	(J) 2511	Rubber Gasket
115-928	(M) 2516	Fount Control Spring
115-926	(O) 2538	Internal Lock Washer

Parts Schematics



# Plastic Poultry Founts



**KVS**

115-003  
115-005  
115-007

**Miller**

PPF3  
PPF5  
PPF7

**Description**

Plastic Fount 3 Gallon  
Plastic Fount 5 Gallon  
Plastic Fount 7 Gallon

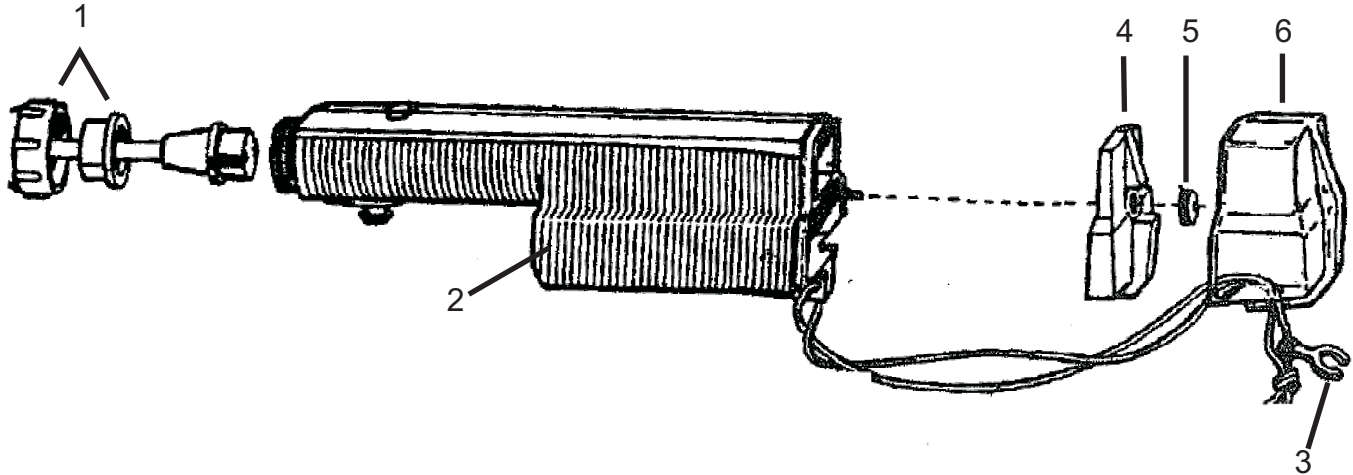
115-936  
115-937  
115-938  
115-998

PPF-302  
PPF-304  
PPF-305  
PPF-310

Red Plastic Jar Base  
Black Handle Cap  
Plastic Jar Cap  
Black Cap Seal Kit  
Contains: 3x O-Rings, 1x Jar Cap



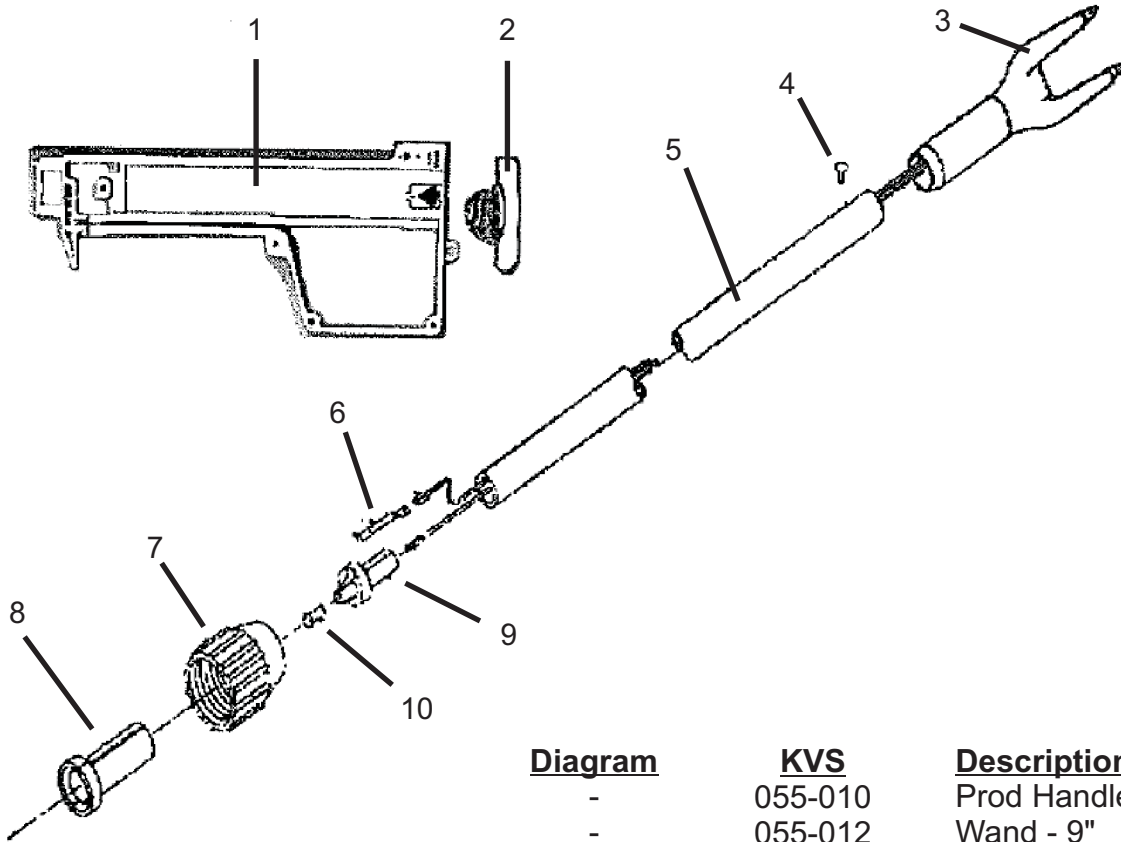
# Prods - Hot-Shot - Handle Parts



<u>Diagram</u>	<u>KVS</u>	<u>Description</u>
-	054-402	Handle Complete - Green
-	054-404	Handle Complete - Green - Chargeable
-	054-406	Handle Complete - Red
-	054-602	Motor - HS2000 - Green
-	054-604	Motor - Sabre Six - Red
2	054-650	Case Without End Cover - Green
2	054-660	Case Without End Cover - Red
4	054-654	End Cover - Black
1	054-670	Shaft Collet Nut with Insert
5	054-674	Cover Hold Down Nut
3	054-678	Trigger Button With Safety Clip + Thong
6	054-676	Cover Boot Only for Case



Prods - Magrath - Handle Parts



Products listed without a KVS code are special order only.

<u>Diagram</u>	<u>KVS</u>	<u>Description</u>
-	055-010	Prod Handle
-	055-012	Wand - 9"
-	055-014	Wand - 22"
-	055-016	Wand - 34"
-	055-018	Wand - 44"
1	055-060	Magrath Case Only
2	055-054	Battery Door Cap
3	055-040	Tip Assembly - 9"
3	055-042	Tip Assembly - 22"
3	055-044	Tip Assembly - 34"
3	055-046	Tip Assembly - 44"
5	055-030	Tube - 9"
5	055-032	Tube - 22"
5	055-034	Tube - 34"
5	055-036	Tube - 44"
4	055-050	Drive Rivet
6	-	Contact Strip
7	055-022	Collet Nut
8	055-024	Split Collar
9	-	Shaft Base
10	-	Rivet Contact
	055-052	Shaft Base Kit: Includes: 6,9,10

Parts Schematics



## Stafix X Series Energizer Repair Notes

\* Always remember to have available a copy of the invoice to the producer for any warranty claims.

- All Stafix Energizers are 2 years from date of purchase.

One of the great things about selling a Stafix X1/X2/X3 universal energizer, or Unigizer™, is the ability to immediately fix the unit and take care of the customer in the store. There is no sending the unit off for repair and no loaner unit. Just a happy customer that will that will return to shop again.

Should a repair situation ever arise, all you need to remember are these simple, easy steps.

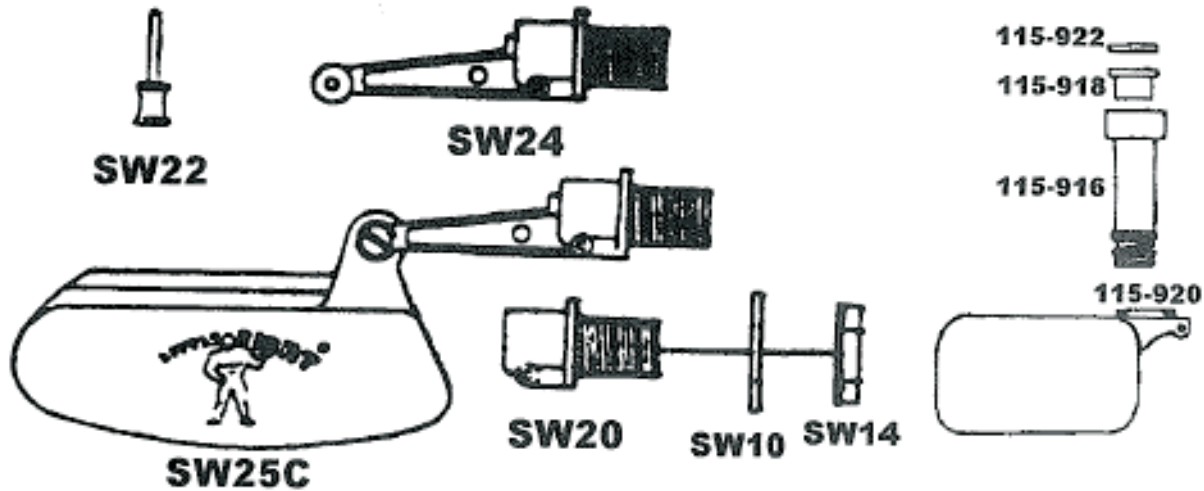
1. Check the power cord. If a new unit is on the shelf, pull the power cord from that unit and use it with the one returned. If the unit works again, the original power cord was the problem and, if under warranty, will be replaced to you. Call Kane Vet customer service for complete details. (Use the same procedure concerning the battery lead set if the unit is run by battery.)
2. Remove the 3 screws on the back of the unit and set aside. Pull apart the back case and visually inspect the inside.
3. Discharge the capacitor. Remove the old storage capacitor and replace with a new one. Turn on the unit and see if that fixes the problem. If so, completely reassemble the unit and call Kane Vet customer service to receive another capacitor – if the returned unit is still under warranty.
4. If not the capacitor, then remove and install a new transformer. Turn on the unit and see if that fixes the problem. If so, completely reassemble the unit and call Kane Vet customer service to receive another capacitor – if the returned unit is still under warranty.
5. If neither the capacitor nor the transformer, then replace the module board. Please pull the capacitor, transformer, lightning rod, terminals (and knobs) from the returned unit and reinstall into the new module board. Assemble the magnetic switch and back case and reinstall the original 3 screws. If the returned unit is still under warranty, call Kane Vet customer service for a replacement module.

It's that simple. For additional information, or if you have any questions, please feel free to call your local Kane Vet sales representative or call Kane Vet customer service at 800-252-7547 (Western Canada) 800-361-3232 (Eastern Canada).





## Complete Float Assembly



<u>KVS</u>	<u>Miller</u>	<u>Description</u>
115-304	SW25C	Complete Float Assembly

**Trough-O-Matic Parts**

115-915	810	Anti-Siphon Valve Stem
115-916	811	Valve Stem Hose
115-918	812	Orifice Insert
115-920	826	Valve Seat
115-921	809	Regular Float Kit
115-922	828	Hose Washer

**Float Parts:**

115-900	SW8	Rubber Grommet (Not pictured)
115-902	SW10	Fiber Washer
115-904	SW14	½ Locknut
115-909	SW24	Complete Valve Kit

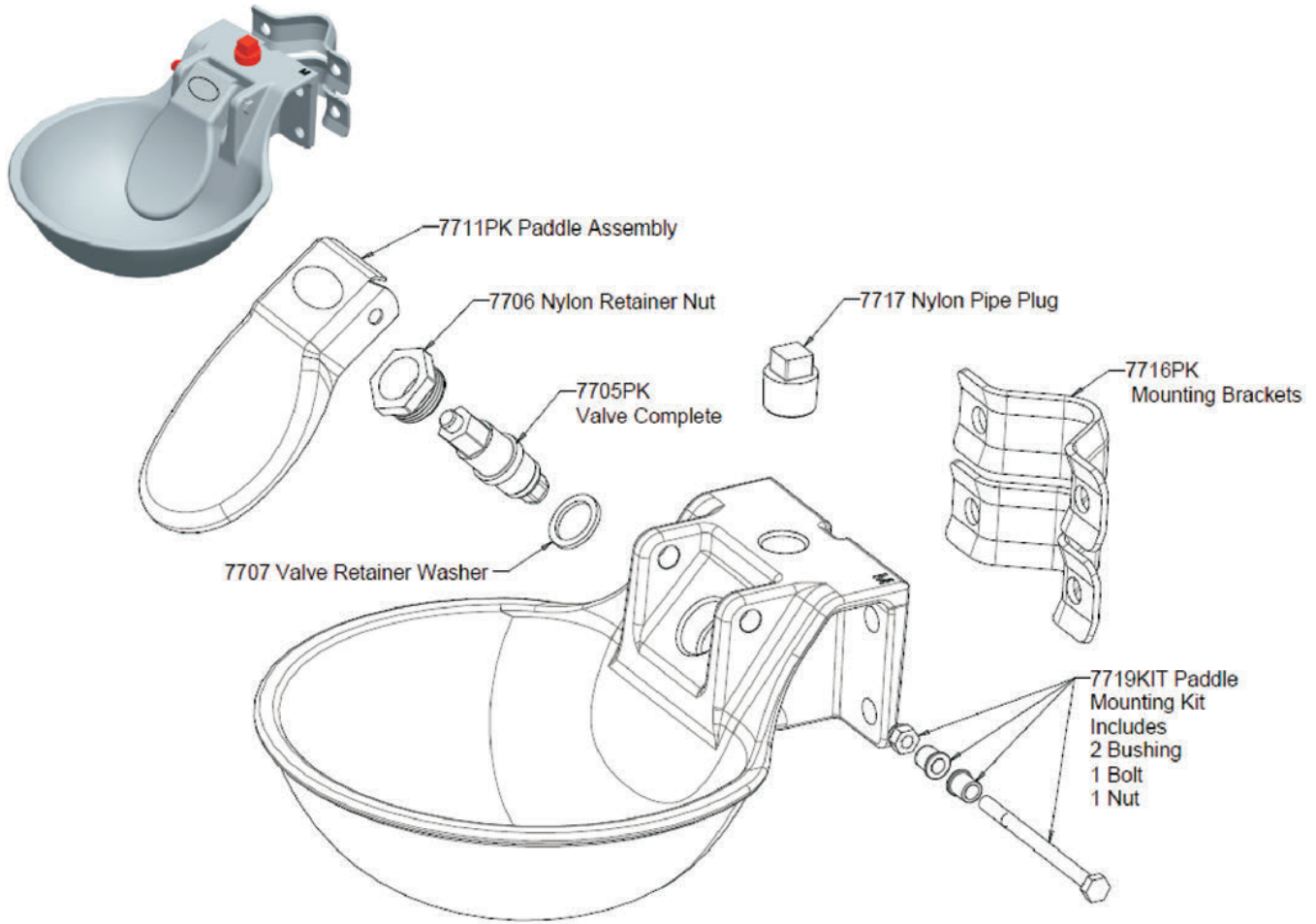
**Float Assembly Fits:**

115-300	88SW	Waterer - Automatic - With Float - Galvanized
115-302	88ESW	Waterer - Automatic - With Float - Epoxy Coated
115-456	TM830T	Trough-O-Matic Float Valve - Metal
115-702	TM825	Trough-O-Matic Float Valve - Plastic
115-704	TM830	Trough-O-Matic Float Valve - Aluminum
115-706	TM825AS	Trough-O-Matic Float Valve - Plastic - Anti-Siphon
115-708	TM830AS	Trough-O-Matic Float Valve - Metal - Anti-Siphon
115-308	FW16	Waterer - Automatic - Fence - with Float - Red
115-309	FW16	Waterer - Automatic - Fence - with Float - Green
115-310	FW16	Waterer - Automatic - Fence - with Float - Blue





# Push Paddle Waterer #77



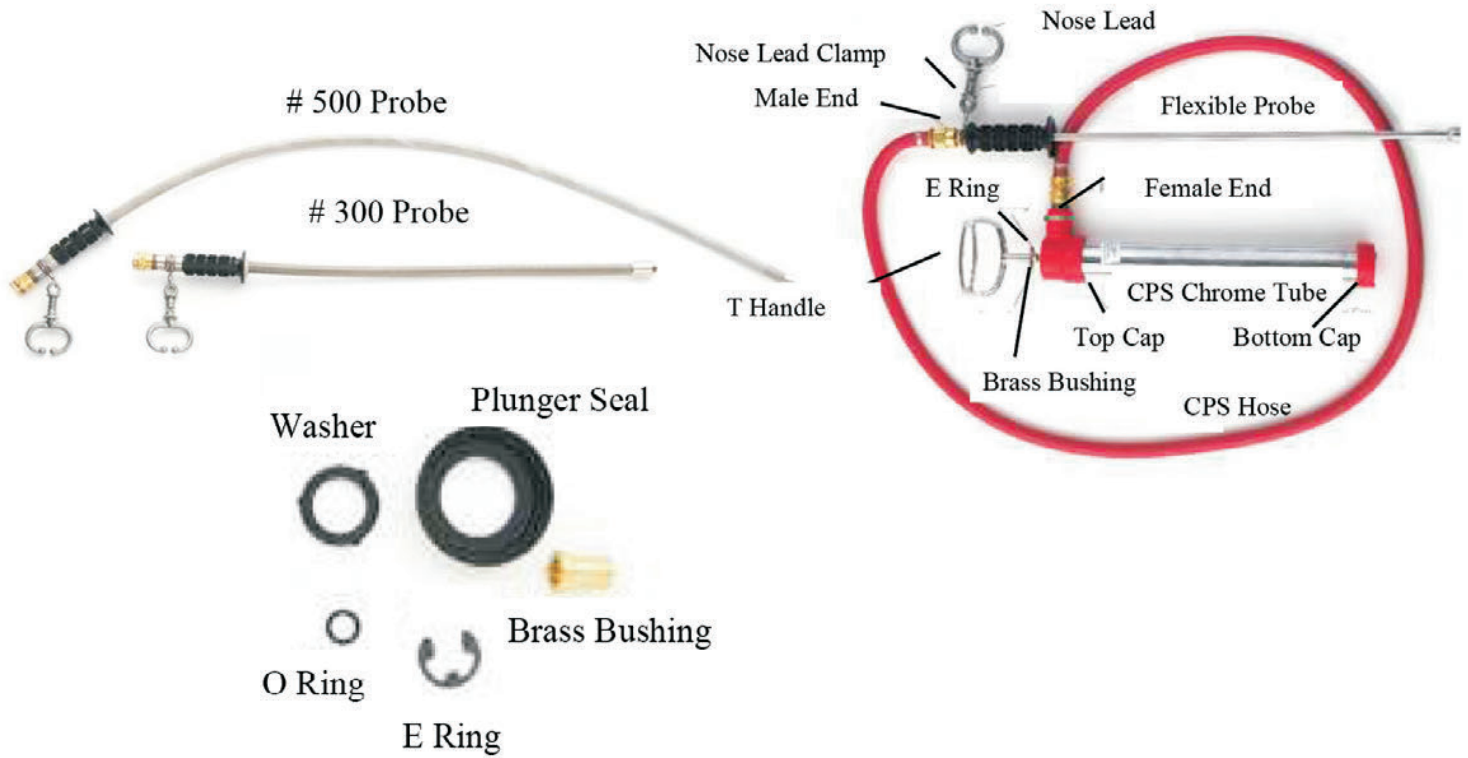
Parts Schematics

<u>KVS</u>	<u>Miller</u>	<u>Description</u>
115-312	77	Push Paddle Waterer
115-945	7705PK	Valve Assembly Pack Complete
115-957	7717	Nylon Pipe Plug
115-958	7705PK	Valve Retaining Kit
115-959	7719KIT	Paddle Mounting Kit
115-961	7711PK	Paddle Assembly Pack
115-962	7716PK	Mounting Bracket Pack



# Cattle Pump System

Parts Schematics



<u>KVS</u>	<u>MPN</u>	<u>Description</u>
055-302	300CSPR	CPS 300 Probe 3'p
055-502	500CSPR	CPS 500 Probe 5'p
055-600	CPSTH	CPS T-Handle
055-601	BRASSBUSHING	CPS Brass Bushing
055-602	ORING	CPS O Ring
055-603	TOPCAP	CPS Top Cap
055-604	PLUGERSEALS	CPS Cap Plunger Seal
055-605	ERING	CPS E Ring
055-606	FEMALEEND	CPS Female End
055-607	MALEEND	CPS Male End
055-608	NOSELEAD	CPS Nose Lead Finished
055-609	CPSHOSE	CPS Hose Finished
055-610	CPSWASHER	Hose Washer
055-611	NLCLAMP	CPS Nose Lead Clamp
055-612	BTMCAP	CPS Bottom Cap
055-613	CPSREDBAG	CPS 17" x 37" 17oz Carry Bag